

# Diamond core drill bits

## Husqvarna VARI-DRILL D20

Silver



### Optimal

Concrete hard, Natural stone



### Good

Concrete medium, Brick



### Acceptable

Concrete soft, Green concrete (abrasive) hard, Green concrete (abrasive) soft

### Fits to

DM 220

DM 650

DMS 240

DM 406 H

DM 230

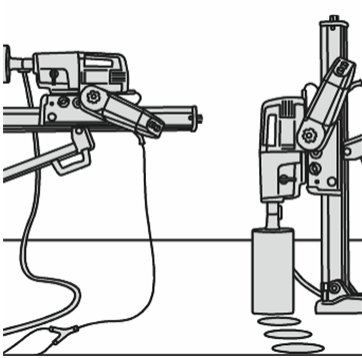
DM 430

Article Number : 582 00 56-01



## FEATURES

Want to take a closer look? Learn more about the product in depth by exploring its features and benefits.



### Heavy-duty applications

For heavy-duty applications like water evacuation, ventilation and plumbing channels, waste evacuation pipes, gas supply pipes and barriers.

### Ideal for concrete and hard materials

Developed for fast cutting in universal construction materials, with a focus on hard materials like granite and hard concrete.

### Laser welded

Segments are attached to the tube by laser welding to minimise the risk of segment loss.

### Several smart accessories available

With accessories such as adapters, centering devices and extenders the drill job can be made easier.

## RECOMMENDED MATERIALS FOR VARI-DRILL D20

●●● Optimal

Concrete hard    Natural stone

●● Good

Concrete medium    Brick

● Acceptable

Concrete soft    Green concrete (abrasive) hard    Green concrete (abrasive) soft

## Fits to

DM 220

DM 650

DMS 240

DM 406 H

DM 230

DM 430